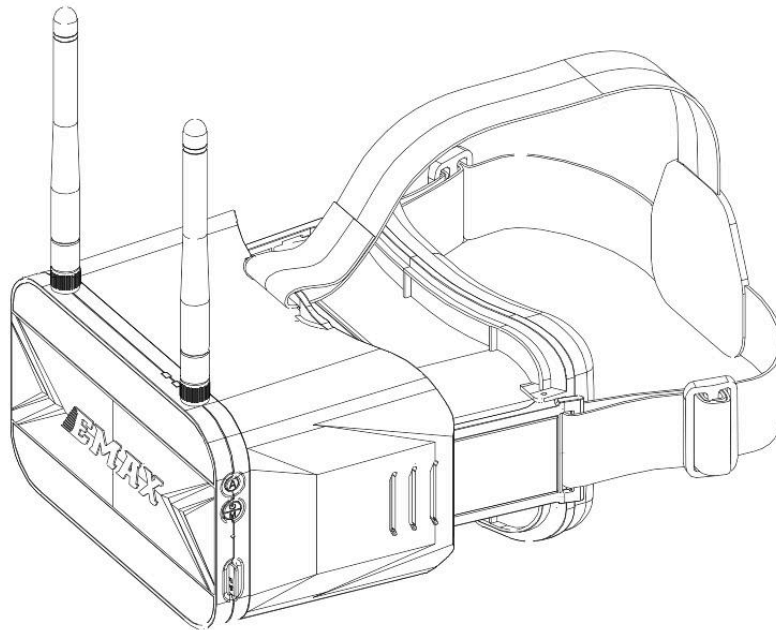


EMAX TRANSPORTER 2

(WITH DVR)



Thanks for purchasing EMAX

www.emaxmodel.com

www.emax-usa.com

Please follow the instruction manual to assemble and configure your product.

Disclaimer

Please read the disclaimer carefully before using this product. By using this product, you hereby agree to this disclaimer and signify that you have read them carefully and completely. This product is not suitable for people under the age of 18.

This product is a flying goggles specially designed for FPV flight. You can view the camera picture in real time from a first-person view. Dynamic images or changing light may make you feel dizzy, lose your balance, or cause other discomfort. .

Please read the instruction manual and warnings carefully. Before every flight, make sure the battery is fully charged and power connections are secure. DO NOT fly around crowds, children, animals or objects.

EMAX ACCEPTS NO LIABILITY FOR DAMAGE(S) OR INJURIES INCURRED DIRECTLY OR INDIRECTLY FROM THE USE OF THIS PRODUCT.

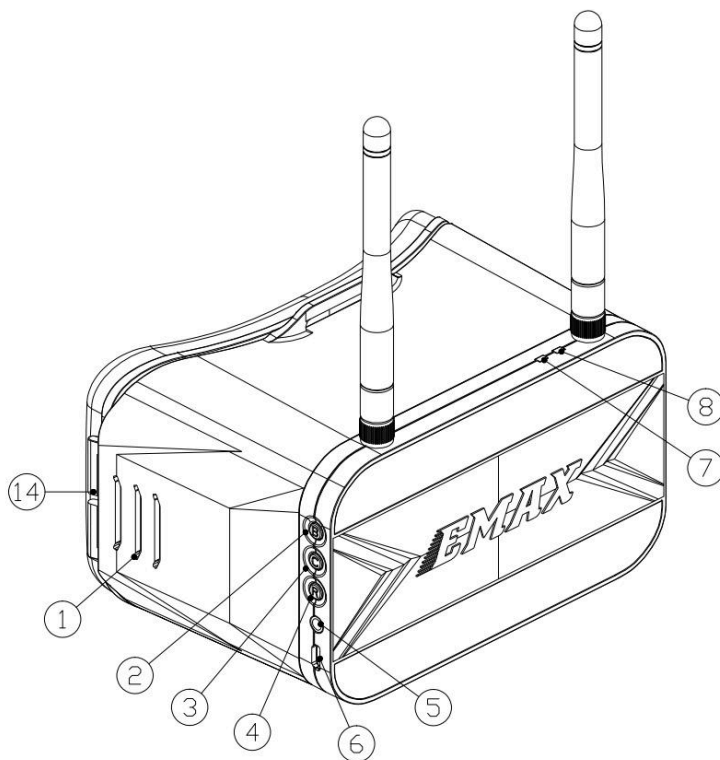
Precautions

1. Please follow the instructions to assemble and to operate this product in a proper way.
2. Please avoid dropping or collision with the product.
3. Extended use of this product may cause eye strain or physical discomfort.
4. Please stop using this product immediately if you feel any discomfort during use.
5. Do not use this product if you have physical or mental illness, dizziness, fatigue, or while under the influence of alcohol or drugs.
6. Please operate in a safe area away from people according to local regulations.
7. Do not modify or use other parts and accessories not approved for use by EMAX.
8. Do not use this product in harsh environments (such as winds, rain, lightning, snow, etc.).
9. Do not use this product in a strong electromagnetic environment.

Support

Please visit emax-usa.com or emaxmodel.com for any updates or support needs.

USER GUIDE



1. IPD Eye Adjustment

2. Band Button

3. Channel Button

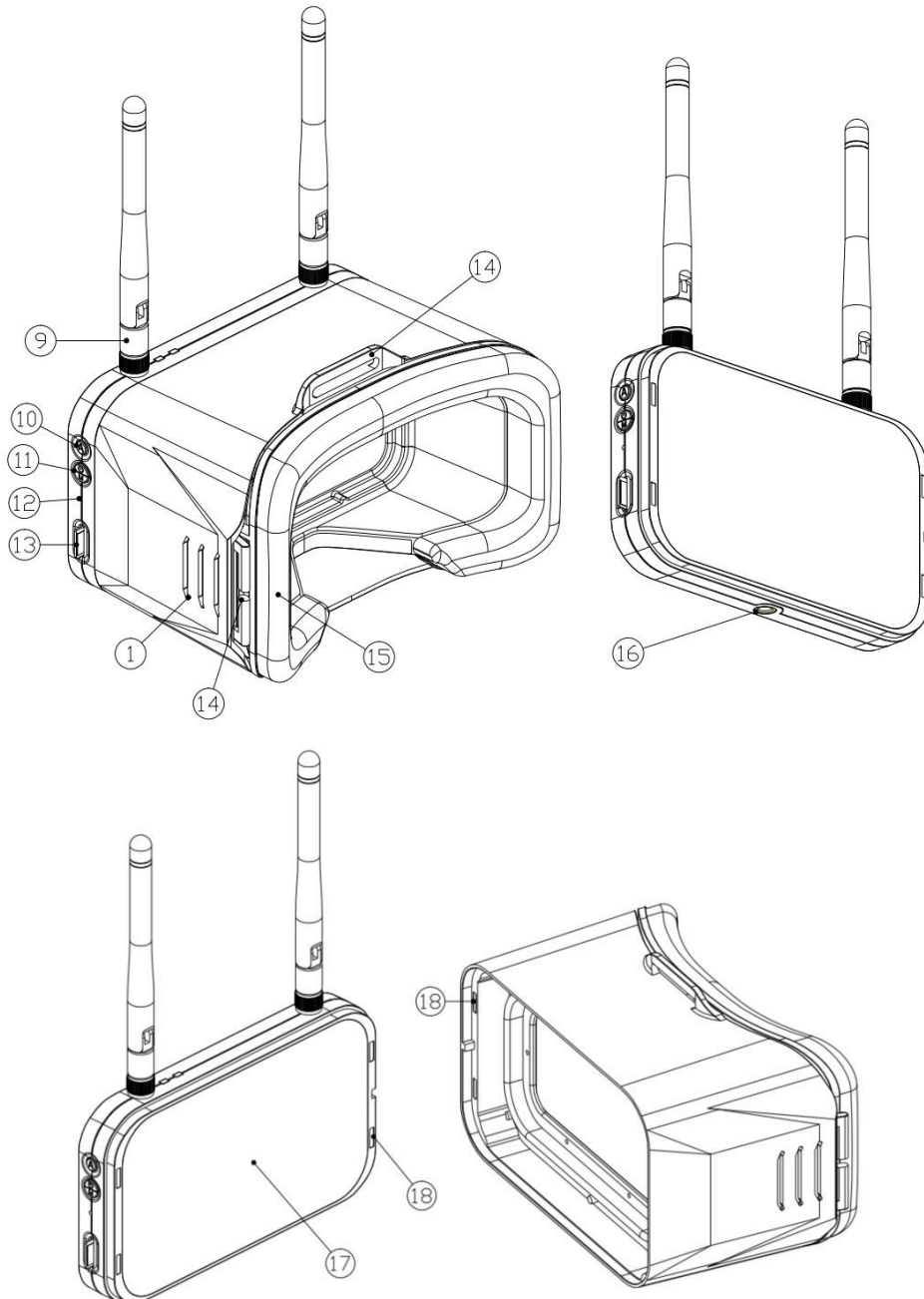
4. Recording

5. Audio

6. Micro USB

7. Recording indicator

8. Charger indicator



9. Antenna

10. Auto Scan Key

11. Menu key

(Click to enter the menu, press and hold for 2 seconds to power on/off)

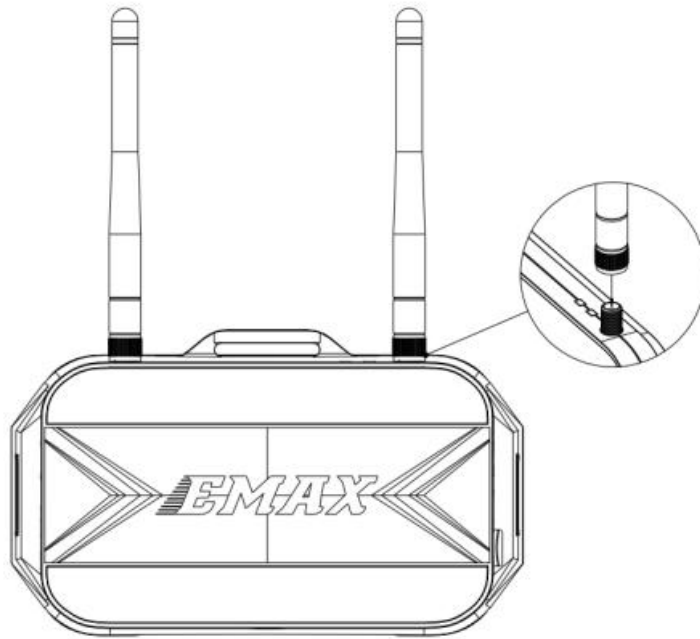
12. Reset

13. SD slot

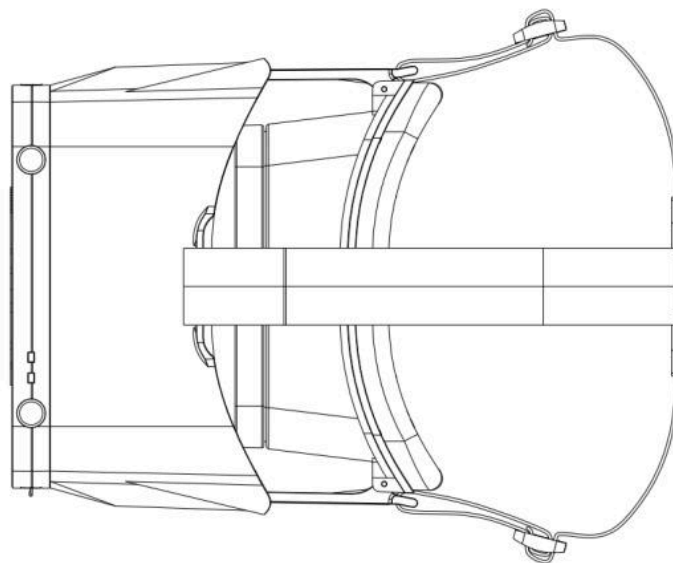
14. Headband slot

- 15. Sponge
- 16. Tripod Mount
- 17. Display
- 18. Magnet

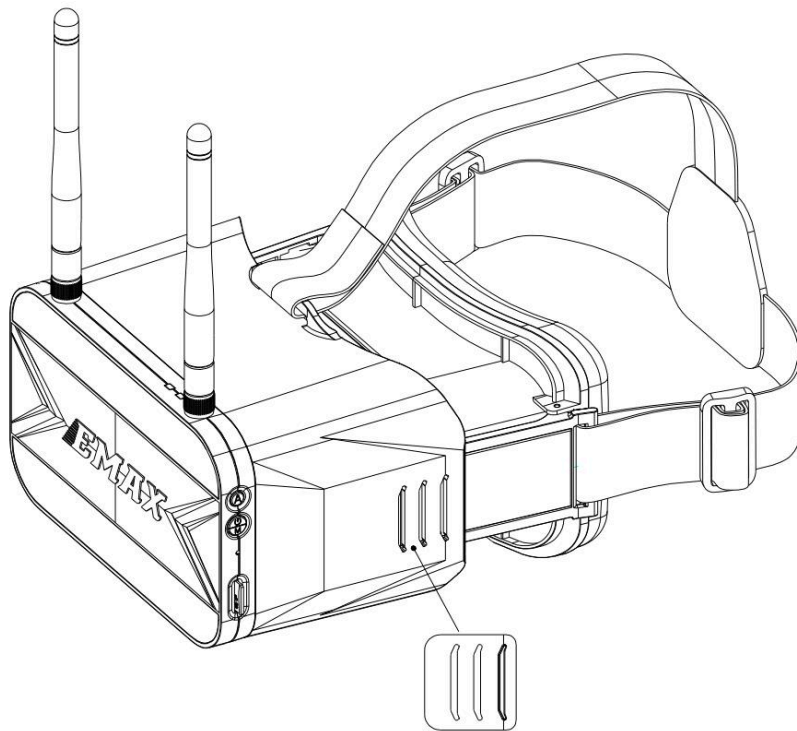
Assemble



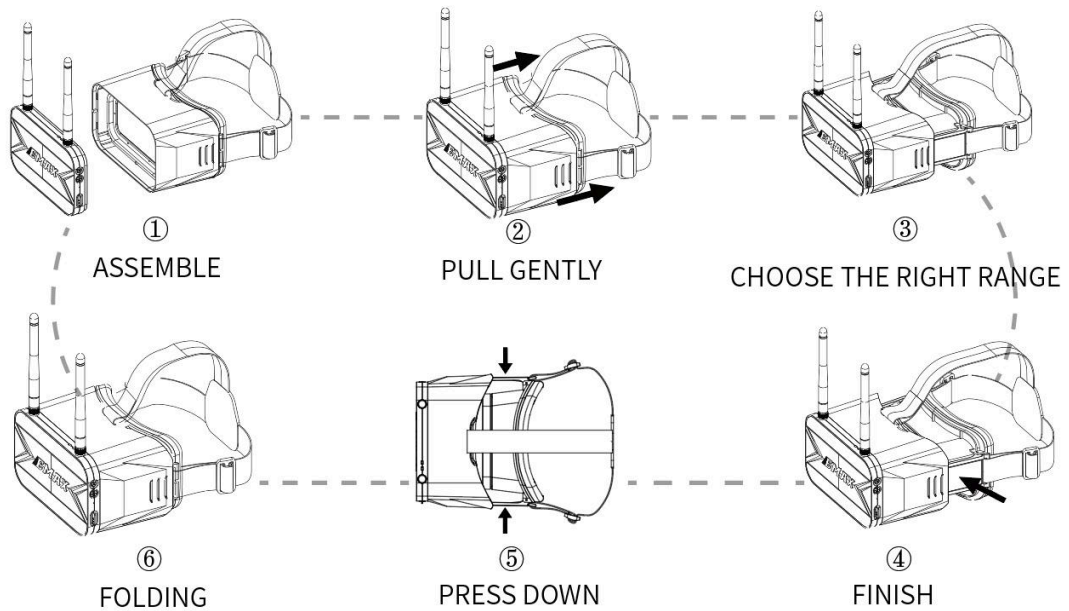
Connect the Antenna



Install the headband



3 Adjust eye distance to a comfortable position;make sure both sides of the slider are equal in length.





on/of & Menu key : Click to enter the menu, press and hold for 2 seconds to power on/off (In menu mode, short press to scroll options; when entering other modes, short press this key to return / exit)



Band selection button : Click to select the A/B/E/F/R/H frequency bands. (In the menu mode, the key is "confirm" or "+". For example, select the "DVR" option in the menu, briefly press B to enter the "DVR" mode. At this time, press B or C to select the video, press R to play, B to adjust the forward playback speed, and C to adjust the reverse playback speed.)



Frequency channel button : Used as the frequency channel button to select 1-8 frequency channels. (In the menu mode, the key is "-". For example, select the "DVR" option in the menu, briefly press B to enter the "DVR" mode. At this time, press B or C to select the video, press R to play, B to adjust the forward playback speed, and C to adjust the reverse playback speed.)



Record button :Click to start recording, click it again to stop.**In DVR mode, play/pause (After a short press to start recording, a red dot appears on the screen to start recording. At the same time, the red light is on and the red LED starts flashing after about 10 seconds)**



Auto Scan Button :Click to automatically select the correct channel and frequency, press and hold for 1.5 seconds to switch to AV mode,**In DVR mode, delete the current file.**



Record indicator (DVR working status) (The indicator light is red when the battery is charging . The indicator light will turn green when charging is complete)



Audi :Audio input/output



Micro USB : DC/5V-1A charge



Product specification

Goggles	
Weight (with headband and Antenna)	398g
Maximum appearance size (Without Antenna and folding state)	L*W*H= 155 mm * 100 mm * 90 mm
Display size	4.3inch
Resolution	480×800
Frequency	5658-5945MHz(40CH)
Antenna	2* 3dB
DVR	Max 32 TF(Please use C10 or higher speed card), Compression format MJPEG, file format AVI Video size: VGA/D1/HD (three modes optional); recording time: off/3 mins/5 mins/10 mins (optional)
Battery	1 cell 1300mAh lipo battery
Charger	Support 5V/1A USB

Turn video on/off

Click the R button on the right when DVR is on, the red indicator is on at the top middle of the display, DVR red LED indicator is on. When the red dot and LED are flashing, it's ready to record

To stop recording, click the R button during recording then the red indicator and DVR red LED will turn off.

Video Channel Selection

Video Channel Auto Scanning :Press the “A” button on the right side to start the auto scan process when power is on.

(Caution: Auto Scanning may mis-select a channel close to your correct channel. Please adjust to the correct channel before flight.)

2.**Manual Selection**: There are 2 buttons (CH and FR) that can manually select the correct channel and frequency band. The table below shows the channel and frequency band map with the respective frequency number.

Channel

FR \ CH	CH1	CH2	CH3	CH4	CH5	CH6	CH7	CH8	
F	5740	5760	5780	5800	5820	5840	5860	5880	MHz
R	5658	5695	5732	5769	5806	5843	5880	5917	MHz
A	5865	5845	5825	5805	5785	5765	5745	5725	MHz
B	5733	5752	5771	5790	5809	5828	5847	5866	MHz
E	5705	5685	5665	5645	5885	5905	5925	5945	MHz

About disposal of the product:

Please follow the local residential waste disposal rules when this product

(main case/display module, display module built-in battery) is discarded.



Warning: Please pay attention to your surroundings. Avoid flying for extended periods of time. Not Recommended for persons under 18 years of age.

Please visit www.emax-usa.com www.emaxmodel.com for any updates or support needs.



Thanks for choosing EMAX products!